

Technical Information

No. FO 4702

Edition: 06/02 - subject to change

Substitutes: Edition 11/98

Status: valid

Mercury Short Arc Lamp
for Microlithography

HBO[®] 3500 W/PI

■ Product description

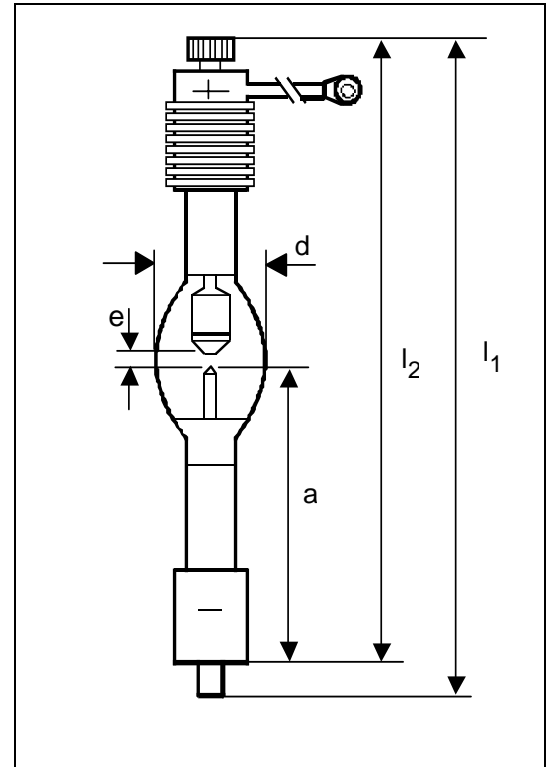
The OSRAM HBO[®] 3500 W/PI is a direct current i-line lamp for microlithography processes within wafer processing. This lamp type emits a very high radiant intensity in the ultraviolet and visible wavelength range, developed and optimized for being used in ASML equipment (PAS 5500/200B, 250 C).

■ Technical data

Order reference		HBO [®] 3500 W/PI
Rated lamp wattage	W	3,150
Rated lamp voltage	V	23
Rated lamp current (=)	A	148
Ignition voltage (cold)	kV _S	max. 20
Radiant intensity (wave length range 365 ± 2,5 nm)	mW/sr	9,000
Electrode gap e	mm	4.5
Lamp length l ₁	mm	max. 360
Lamp length l ₂	mm	322
Bulb diameter d	mm	77
LCL a	mm	154
Guaranteed life	h	850

Base

- Kathode: SFc 32.5-6.7/50
- Anode: SFaX 40-6/50 with cable (M10)



■ Lamp operation

Maximum permissible base temperature	°C	200
Cooling	Forced base cooling	
Burning position	Vertical, anode up	

■ Safety Instruction

Due to their high luminous efficacy, the UV radiation which they emit and the high pressure within the lamp, HBO[®] lamps may only be operated within enclosed, purpose-built housings. When a lamp breaks, mercury is released. Particular safety regulations should be paid attention (for details please request technical information sheet no. FO 4574).

