

Technical Information

No. FO 5298

Edition: 02/06 - subject to change

Substitutes: initial release

Status: valid

Short Arc Metal Halide Lamp

Baby SharXS[®] HTI[®] 575W/D5/75

■ Product description

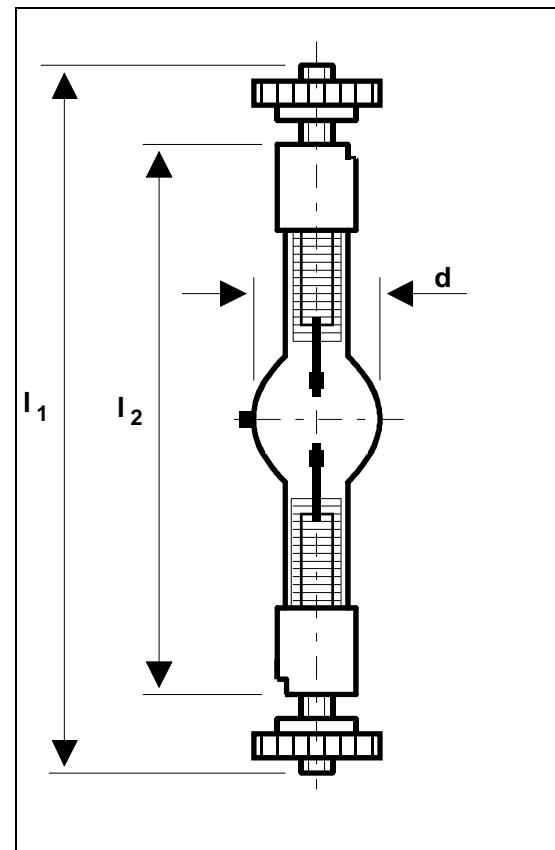
The OSRAM Baby SharXS[®] HTI[®] 575W/D5/75 is a very compact double-ended ('D') metal halide lamp of the new Baby SharXS[®] family. By the extra short arc of 5 mm ('5'), this lamp has a very high luminance and provides a high output for intelligent entertainment lighting. The "eXtreme Seal" technology enables higher pinch temperatures up to max. 450°C. Being double-ended (with pre-focus base) the lamp is suitable for hot restart. The lamp length of 93 mm (max.) only allows the design of fixtures in very compact size.



Baby SharXS

■ Technical data

Order reference	Baby SharXS [®] HTI [®] 575W/D5/75	
Rated lamp wattage	W	575
Rated lamp voltage	V	95
Rated lamp current	A	7.0
Ignition voltage (cold/hot)	kV _s	4.5 / 20 (max. 25)
Luminous flux	lm	43,000
Color temperature	K	7,500
Color rendering index CRI		> 85
Light arc length (cold)	mm	5.0
Lamp length (overall) l ₁	mm	93
Lamp length (overall) l ₂	mm	70 ± 1
Diameter bulb d	mm	max. 18 (without pumping tip)
LCL a	mm	35 ± 1
Average service life	h	750
Base		SFc-11-4 with notch



■ Lamp operation

Maximum permissible pinch temperature	°C	450 (measured on Moly-foil); with XS Technology
Cooling		forced cooling / fan
Burning position		any

The Baby SharXS[®] HTI[®] 575W/D5/75 can either be operated on standard ballasts or on electronic power supplies (ECG).

■ Manufacturers of igniters and control gear (not all officially approved by OSRAM)

Igniters:	Schiederwerk, Mitronic, BAG Turgi 208 NI 1200S/5.0, ERC 640031
ECGs:	Schiederwerk EVG 12-7, Mitronic
Ballasts:	ERC 686 720/4, ERC 686 720/10