

Technical Information

No. FO 4844

Edition: 12/04 subject to change

Supersedes: 06/99

Status: valid

Halogen Discharge Lamp

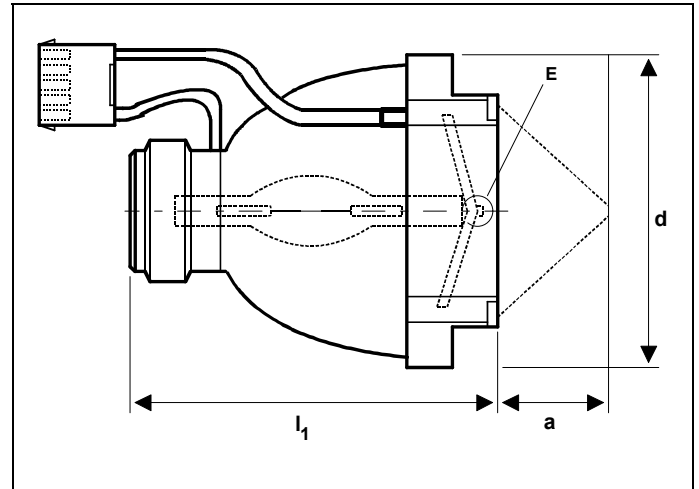
VIP[®] R 273 / 45

■ Product description

The OSRAM VIP[®] R 273 / 45 is an AC discharge lamp, designed for data and video projection. Its small arc gap, combined with a high luminous flux and service life makes it suitable especially for small LCD and DMD[™] (TM Texas Instruments) diagonals. The lamp is equipped with an elliptic reflector.

■ Technical data

Order reference	VIP [®] R 273 / 45	
Rated lamp wattage	W	270
Rated lamp voltage	V	38
Rated lamp current	A (~)	7.1
Ignition voltage	kV _s	30
Luminous flux ¹	lm	2,600
Luminous efficacy (burner)	lm/W	55
Average luminance	cd/cm ²	100,000
Color temperature ¹	K	5,800
Color coordinates (x / y) ¹		0.350 / 0.390
Electrode gap e	mm	1.9
Type of reflector		elliptical
Lamp length l ₁	mm	73
Diameter d	mm	67
Mounting distance a	mm	45
Average service life	h	1,000
Electrical connection	Cable with AMP-plug No. 350810-1	



■ Lamp operation

Max. permissible temperature at point E	°C	250
Cooling	forced Cooling necessary to ensure proper temperature at point E	
Burning position	optical axis horizontal ± 15°, p 15	

■ Selection of igniters and control gears

Igniters and ECGs: Hansmann, Mitronic, Walker, Schiederwerk

¹ Measured at working distance through an 5mm round aperture into an integrating sphere